

DELTA X DATA SHEETS

MODEL:

DELTA X10 1

DELTA X12 2

DELTA X10 3

DELTA X215 4

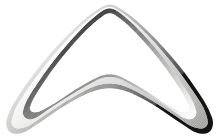
DELTA X12M 5

DELTA X15M 6

DELTA X15B 7

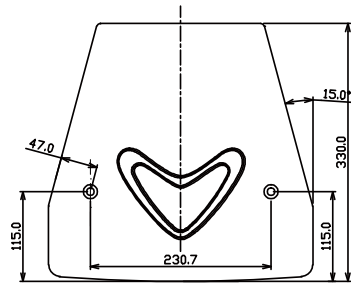
DELTA X18B 8

DELTA X218B 9

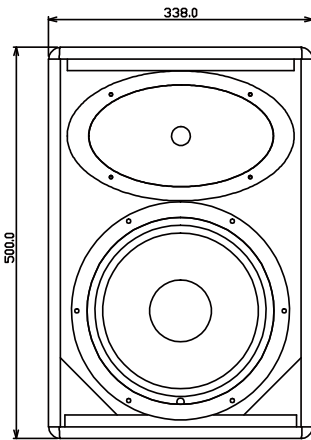


Wharfedale
Pro

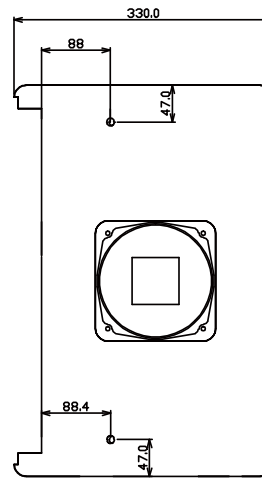
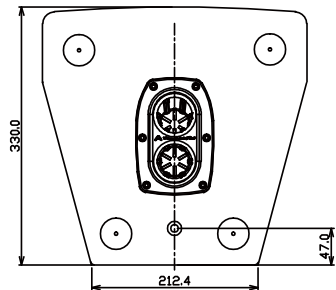
MODEL : DELTA X10



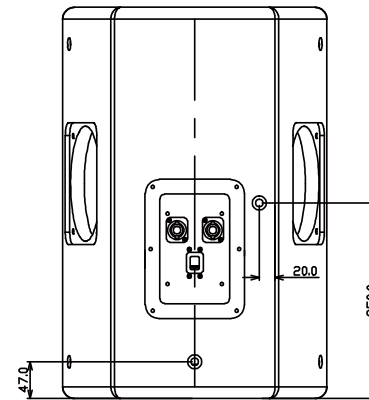
TOP VIEW



FRONT VIEW



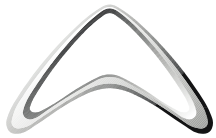
SIDE VIEW



REAR VIEW

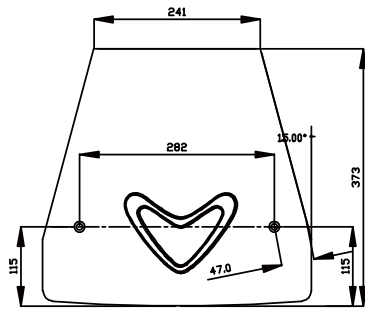
DELTA-X10

System Type	Passive
Configuration	Two-way
Frequency Response (+/-3dB)	65-20kHz
Frequency Range (-10 dB)	60-20kHz
Sensitivity (2.83v/1m)	97dB
Calculated Maximum SPL @1m	128dB
System Rated Impedance	8Ω
Low Frequency Transducer	
Size	288mm / 10" Paper
Voice Coil Size	63.5mm / 2.5"
Rated Impedance	8Ω
LF Power (re:AES2-2012)	300W
High Frequency Transducer	
HF Driver Type	Compression Driver
Voice Coil Size	44.5mm / 1.75" Titanium
Exit Size	25.4mm / 1"
Diaphragm Material	Titanium
Rated Impedance	8Ω
HF Power (re:AES2-2012)	40W
Nominal Coverage (H x V)	90° x 60°
Power	
System Continuous Power	300W
System Programme Power	600W
System Peak Power	1200W
Crossover frequency	2.8kHz
Input Connector	2 x NL4 (speakON Compatible)
Hardware	
Pole Mount	Dual Angle (0° / 10°) 35mm Socket
Handles	2 on Sides
Rigging points	9 x M10
Enclosure Material	15mm Plywood
Finish	black paint
Grille Material & Finish	1.5 mm Steel Black or White
Dimensions - Unpacked	
Height	500mm / 19.7"
Width Front	338mm / 13.3"
Width Rear	212.4mm / 8.4"
Depth	330mm / 13.0"
Dimensions - Packed	
Height	575mm / 22.6"
Width Front	400mm / 15.7"
Width Rear	300mm / 11.8"
Depth	386mm / 15.2"
Weight	
Net Weight (kg / lbs)	16.58kg / 36.5lbs
Gross Weight (kg / lbs)	19.6kg / 43lbs

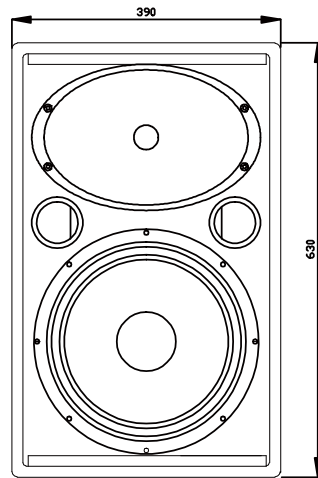


Wharfedale
Pro

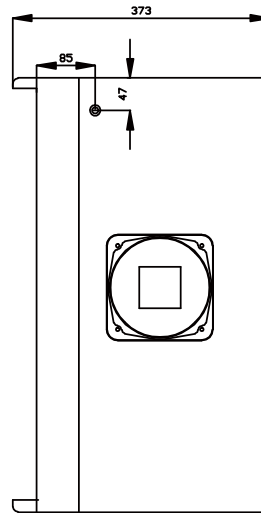
MODEL : DELTA X12



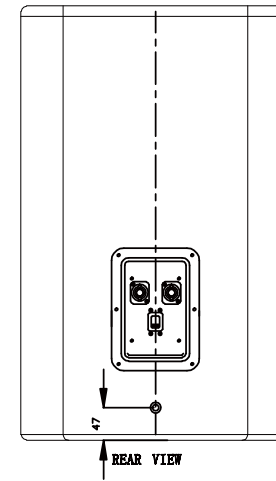
TOP VIEW



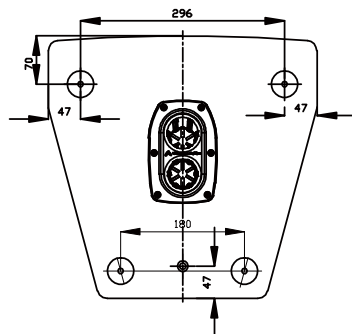
FRONT VIEW



SIDE VIEW



REAR VIEW

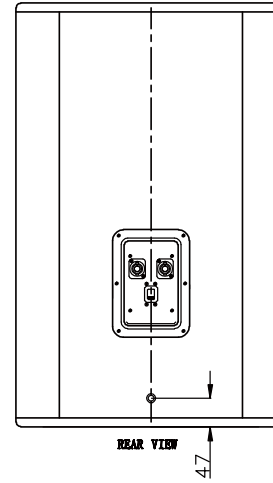
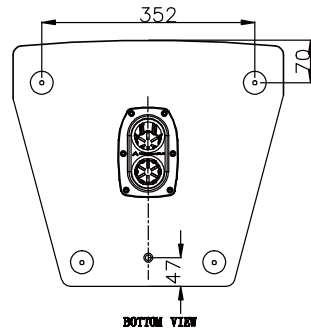
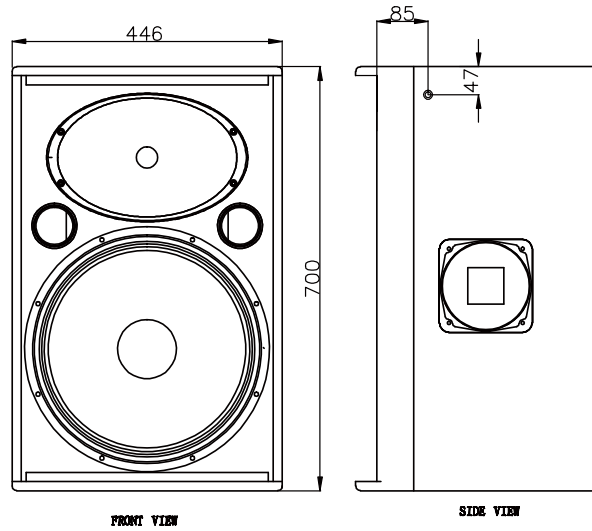
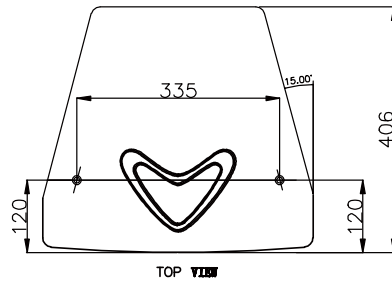


DELTA-X12

System Type	Passive
Configuration	Two-way
Frequency Response (+/-3dB)	60-20kHz
Frequency Range (-10 dB)	55-20kHz
Sensitivity (2.83v/1m)	97dB
Calculated Maximum SPL @1m	129dB
System Rated Impedance	8Ω
Low Frequency Transducer	
Size	332mm / 12" Paper
Voice Coil Size	77.1mm / 3"
Rated Impedance	8Ω
LF Power (re:AES2-2012)	400W
High Frequency Transducer	
HF Driver Type	Compression Driver
Voice Coil Size	50.8mm / 2" Titanium
Exit Size	35.6mm / 1.4"
Diaphragm Material	Titanium
Rated Impedance	8Ω
HF Power (re:AES2-2012)	50W
Nominal Coverage (H x V)	90° x 45°
Power	
System Continuous Power	400W
System Programme Power	800W
System Peak Power	1600W
Crossover frequency	1.8kHz
Input Connector	2 x NL4 (speakON Compatible)
Hardware	
Pole Mount	Dual Angle (0° / 10°) 35mm Socket
Handles	2 on Sides
Rigging points	6 x M10
Enclosure Material	15mm Plywood
Finish	black paint
Grille Material & Finish	1.5 mm Steel Black
Dimensions - Unpacked	
Height	630mm / 24.8"
Width Front	390mm / 15.3"
Width Rear	241.2mm / 9.5"
Depth	373mm / 14.7"
Dimensions - Packed	
Height	773mm / 28.9"
Width Front	566mm / 22.3"
Width Rear	566mm / 22.3"
Depth	464mm / 18.3"
Weight	
Net Weight (kg / lbs)	24.7kg / 54.5lbs
Gross Weight (kg / lbs)	29.0kg / 63.8lbs



MODEL : DELTA X15

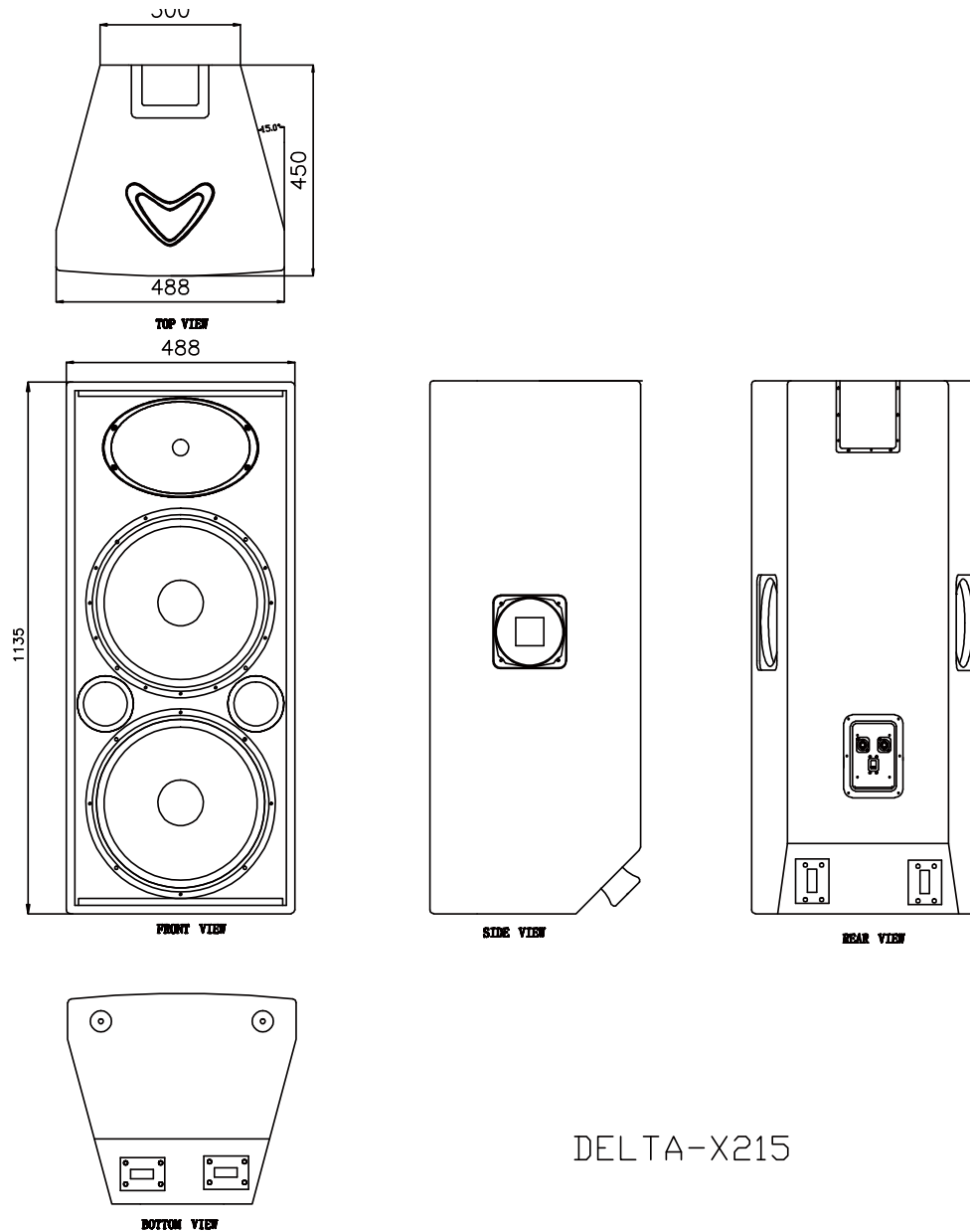


DELTA-X15

System Type	Passive
Configuration	Two-way
Frequency Response (+/-3dB)	50-20KHZ
Frequency Range (-10 dB)	45-20KHZ
Sensitivity (2.83v/1m)	98dB
Calculated Maximum SPL @1m	131dB
System Rated Impedance	8Ω
Low Frequency Transducer	
Size	404mm / 15" Paper
Voice Coil Size	77.1mm / 3"
Rated Impedance	8Ω
LF Power (re:AES2-2012)	500W
High Frequency Transducer	
HF Driver Type	Compression Driver
Voice Coil Size	50.8mm / 2" Titanium
Exit Size	35.6mm / 1.4"
Diaphragm Material	Titanium
Rated Impedance	8Ω
HF Power (re:AES2-2012)	50W
Nominal Coverage (H x V)	90° x 45°
Power	
System Continuous Power	500W
System Programme Power	1000W
System Peak Power	2000W
Crossover frequency	1.8KHz
Input Connector	2 x NL4 (speakON Compatible)
Hardware	
Pole Mount	Dual Angle (0° / 10°) 35mm Socket
Handles	2 on Sides
Rigging points	6 x M10
Enclosure Material	15mm Plywood
Finish	black paint
Grille Material & Finish	1.5 mm Steel Black
Dimensions - Unpacked	
Height	700mm / 27.6"
Width Front	446mm / 17.6"
Width Rear	281.4mm / 11.1"
Depth	406mm / 16.0"
Dimensions - Packed	
Height	803mm / 31.6"
Width Front	622mm / 24.5"
Width Rear	622mm / 24.5"
Depth	498mm / 19.6"
Weight	
Net Weight (kg / lbs)	29.9kg / 65.9lbs
Gross Weight (kg / lbs)	35.5kg / 78.1lbs



MODEL : **DELTA X215**



DELTA-X215

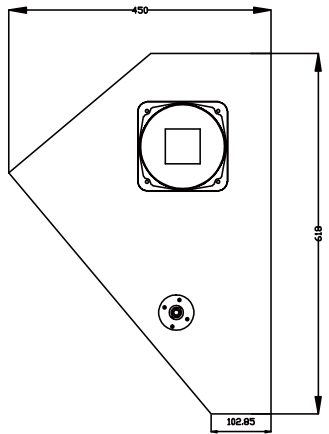
System Type	Passive
Configuration	Quassi Three-way
Frequency Response (+/-3dB)	45-20KHZ
Frequency Range (-10 dB)	45-20KHZ
Sensitivity (2.83v/1m)	101dB
Calculated Maximum SPL @1m	137dB
System Rated Impedance	4Ω
Low Frequency Transducer	
Size	2 x 404mm / 15"
Voice Coil Size	77.1mm / 3"
Rated Impedance	2x8Ω
LF Power (re:AES2-2012)	2x500W
High Frequency Transducer	
HF Driver Type	Compression Driver
Voice Coil Size	50.8mm / 2"
Exit Size	35.6mm / 1.4"
Diaphragm Material	Titanium
Rated Impedance	8Ω
HF Power (re:AES2-2012)	50W
Nominal Coverage (H x V)	90° x 45°
Power	
System Continuous Power	1000W
System Programme Power	2000W
System Peak Power	4000W
Crossover frequency	1.8Hz
Input Connector	2 x NL4 (speakON Compatible)
Hardware	
Pole Mount	
Handles	2 on Sides / 1 on Back
Rigging points	-
Enclosure Material	15mm Plywood
Finish	black paint
Grille Material & Finish	1.5 mm Steel Black
Dimensions - Unpacked	
Height	1135mm / 44.7"
Width Front	488mm / 19.2"
Width Rear	299.6mm / 11.8"
Depth	450mm / 17.7"
Dimensions - Packed	
Height	1218mm / 48.0"
Width Front	558mm / 22.0"
Width Rear	558mm / 22.0"
Depth	522mm / 20.6"
Weight	
Net Weight (kg / lbs)	52.9kg / 116.6lbs
Gross Weight (kg / lbs)	59.0kg / 130lbs



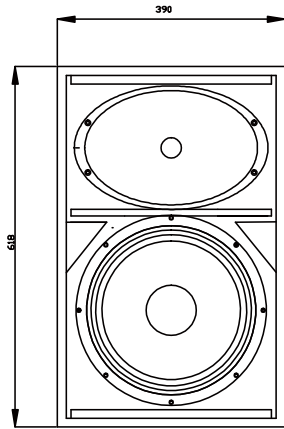
MODEL : **DELTA X12M**



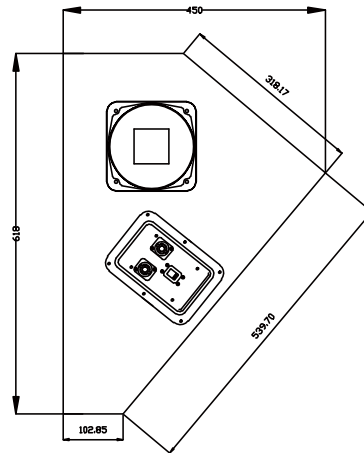
TOP VIEW



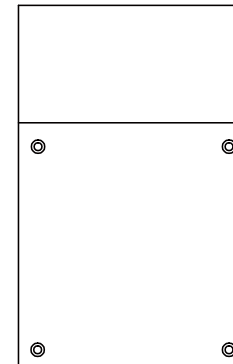
LEFT SIDE VIEW



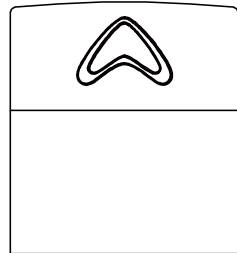
FRONT VIEW



RIGHT SIDE VIEW



BOTTOM VIEW



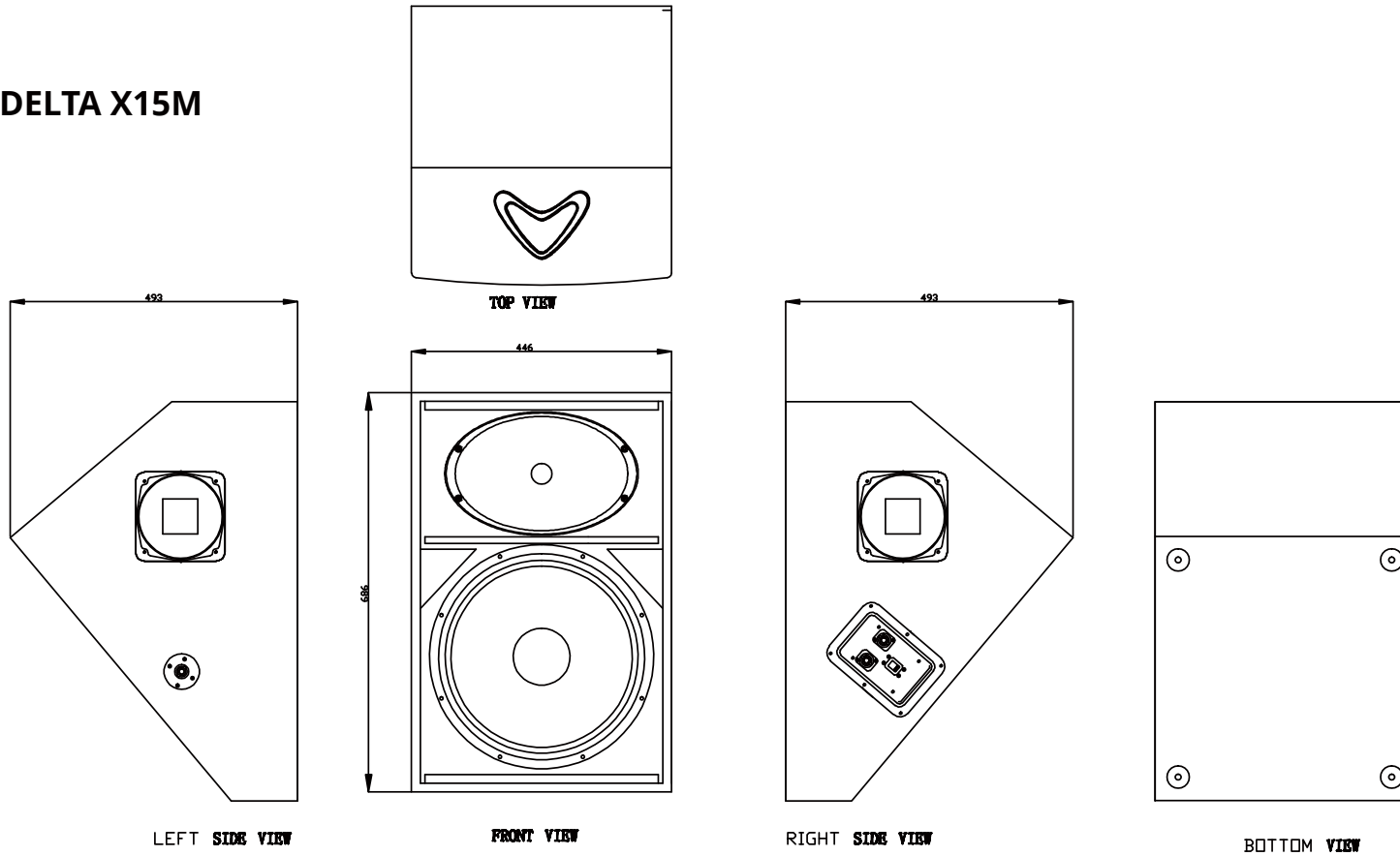
BOTTOM VIEW

DELTA-X12M

System Type	Passive
Configuration	Two-way
Frequency Response (+/-3dB)	60-20kHz
Frequency Range (-10 dB)	55-20kHz
Sensitivity (2.83v/1m)	97dB
Calculated Maximum SPL @1m	129dB
System Rated Impedance	8Ω
Low Frequency Transducer	
Size	332mm / 12" Paper
Voice Coil Size	77.1mm / 3"
Rated Impedance	8Ω
LF Power (re:AES2-2012)	400W
High Frequency Transducer	
HF Driver Type	Compression Driver
Voice Coil Size	50.8mm / 2" Titanium
Exit Size	35.6mm / 1.4"
Diaphragm Material	Titanium
Rated Impedance	8Ω
HF Power (re:AES2-2012)	50W
Nominal Coverage (H x V)	90° x 45°
Power	
System Continuous Power	400W
System Programme Power	800W
System Peak Power	1600W
Crossover frequency	1.8kHz
Input Connector	2 x NL4 (speakON Compatible)
Hardware	
Pole Mount	
Handles	2 on Sides
Rigging points	-
Enclosure Material	15mm Plywood
Finish	black paint
Grille Material & Finish	1.5 mm Steel Black
Dimensions - Unpacked	
Height	449(SITU)mm / 17.7"
Width Front	390mm / 15.4"
Width Rear	390mm / 15.4"
Depth	618mm / 24.3"
Dimensions - Packed	
Height	462mm / 18.2"
Width Front	690mm / 27.2"
Width Rear	690mm / 27.2"
Depth	522mm / 20.6"
Weight	
Net Weight (kg / lbs)	23.18kg / 50.9lbs
Gross Weight (kg / lbs)	28.5kg / 62.7lbs



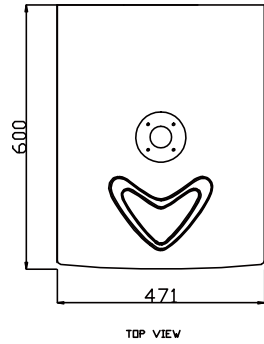
MODEL : **DELTA X15M**



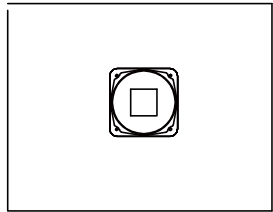
System Type	Passive
Configuration	Two-way
Frequency Response (+/-3dB)	55-20KHZ
Frequency Range (-10 dB)	50-20KHZ
Sensitivity (2.83v/1m)	98dB
Calculated Maximum SPL @1m	131dB
System Rated Impedance	8Ω
Low Frequency Transducer	
Size	404mm / 15" Paper
Voice Coil Size	77.1mm / 3"
Rated Impedance	8Ω
LF Power (re:AES2-2012)	500W
High Frequency Transducer	
HF Driver Type	Compression Driver
Voice Coil Size	50.8mm / 2" Titanium
Exit Size	35.6mm / 1.4"
Diaphragm Material	Titanium
Rated Impedance	8Ω
HF Power (re:AES2-2012)	50W
Nominal Coverage (H x V)	90° x 45°
Power	
System Continuous Power	500W
System Programme Power	1000W
System Peak Power	2000W
Crossover frequency	1.8KHz
Input Connector	2 x NL4 (speakON Compatible)
Hardware	
Pole Mount	
Handles	2 on Sides
Rigging points	-
Enclosure Material	15mm Plywood
Finish	black paint
Grille Material & Finish	1.5 mm Steel Black
Dimensions - Unpacked	
Height	493(SITU)mm / 19.4"
Width Front	446mm / 17.6"
Width Rear	446mm / 17.6"
Depth	685mm / 27.0"
Dimensions - Packed	
Height	518mm / 20.4"
Width Front	757mm / 29.8"
Width Rear	757mm / 29.8"
Depth	565mm / 22.2"
Weight	
Net Weight (kg / lbs)	27.24kg / 59.9lbs
Gross Weight (kg / lbs)	33.96kg / 74.7lbs



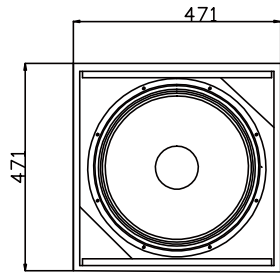
MODEL : **DELTA X15B**



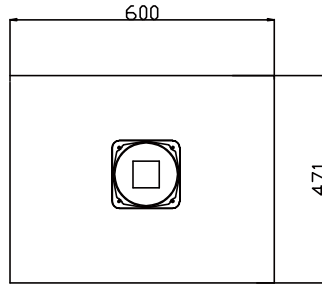
TOP VIEW



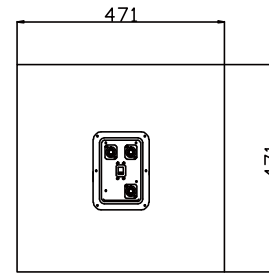
LEFT VIEW



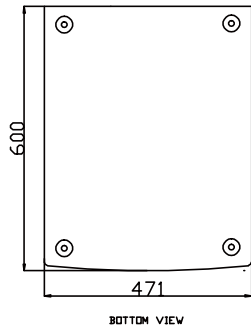
FRONT VIEW



RIGHT VIEW



REAR VIEW



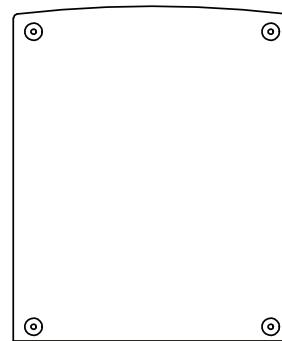
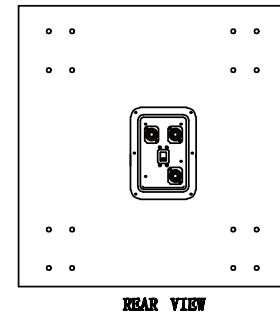
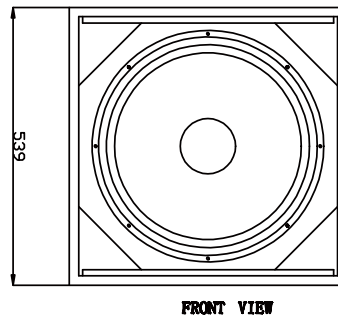
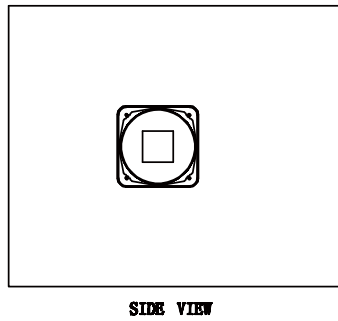
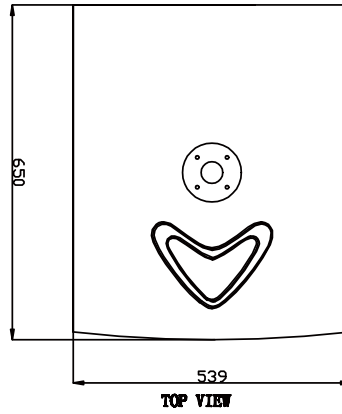
BOTTOM VIEW

DELTA-X15B

System Type	Passive
Configuration	Subwoofer
Frequency Response (+/-3dB)	42-2kHz(BI-AMP)
Frequency Range (-10 dB)	38-150HZ
Sensitivity (2.83v/1m)	98dB
Calculated Maximum SPL @1m	132dB
System Rated Impedance	8Ω or 4Ω
Low Frequency Transducer	
Size	404mm / 15"
Voice Coil Size	102mm / 4"
Rated Impedance	8Ω or 4Ω
LF Power (re:AES2-2012)	700W
High Frequency Transducer	
HF Driver Type	-
Voice Coil Size	-
Exit Size	-
Diaphragm Material	-
Rated Impedance	-
HF Power (re:AES2-2012)	-
Nominal Coverage (H x V)	-
Power	
System Continuous Power	700W
System Programme Power	1400W
System Peak Power	2800W
Crossover frequency	-
Input Connector	2 x NL4 (speakON Compatible)
Hardware	
Pole Mount	35mm
Handles	2 on Sides
Rigging points	-
Enclosure Material	15mm Plywood
Finish	black paint
Grille Material & Finish	1.5 mm Steel Black
Dimensions - Unpacked	
Height	471mm / 18.5"
Width Front	471mm / 18.5"
Width Rear	471mm / 18.5"
Depth	600mm / 23.6"
Dimensions - Packed	
Height	556mm / 21.9"
Width Front	543mm / 21.4"
Width Rear	543mm / 21.4"
Depth	672mm / 26.5"
Weight	
Net Weight (kg / lbs)	31.5kg / 69.4lbs
Gross Weight (kg / lbs)	35.12kg / 77.4lbs



MODEL : **DELTA X18B**

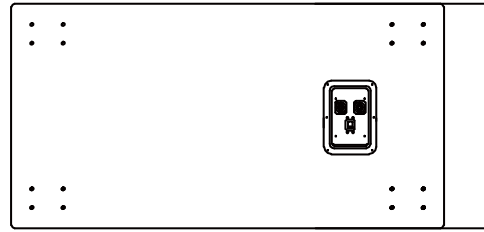


DELTA-X18B

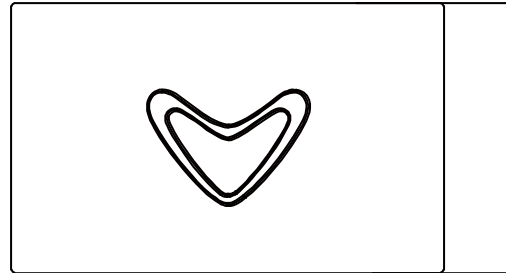
System Type	Passive
Configuration	Subwoofer
Frequency Response (+/-3dB)	38-1.5KHZ(BI-AMP)
Frequency Range (- 10 dB)	30-1.5KHZ
Sensitivity (2.83v/1m)	99dB
Calculated Maximum SPL @1m	134dB
System Rated Impedance	8Ω or 4Ω
Low Frequency Transducer	
Size	470mm / 18"
Voice Coil Size	102mm / 4"
Rated Impedance	8Ω or 4Ω
LF Power (re:AES2-2012)	800W
High Frequency Transducer	
HF Driver Type	-
Voice Coil Size	-
Exit Size	-
Diaphragm Material	-
Rated Impedance	-
HF Power (re:AES2-2012)	-
Nominal Coverage (H x V)	-
Power	
System Continuous Power	800W
System Programme Power	1600W
System Peak Power	3200W
Crossover frequency	-
Input Connector	2 x NL4 (speakON Compatible)
Hardware	
Pole Mount	35mm
Handles	2 on Sides
Rigging points	-
Enclosure Material	15mm Plywood
Finish	black paint
Grille Material & Finish	1.5 mm Steel Black
Dimensions - Unpacked	
Height	539mm / 21.2"
Width Front	539mm / 21.2"
Width Rear	539mm / 21.2"
Depth	650mm / 25.6"
Dimensions - Packed	
Height	624mm / 24.6"
Width Front	611mm / 24.1"
Width Rear	611mm / 24.1"
Depth	722mm / 28.4"
Weight	
Net Weight (kg / lbs)	37.3kg / 82.06lbs
Gross Weight (kg / lbs)	43.2kg / 95.04lbs



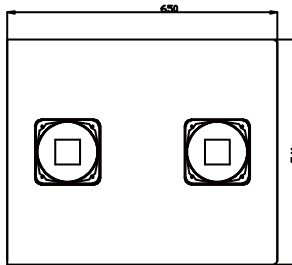
MODEL : **DELTA X218B**



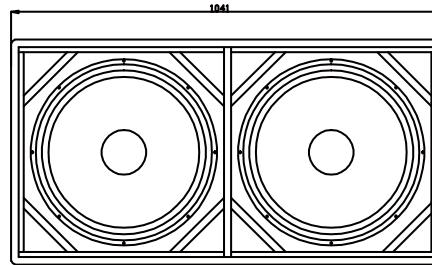
REAR VIEW



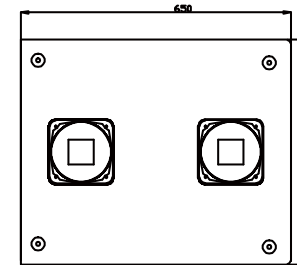
TOP VIEW



SIDE VIEW



FRONT VIEW



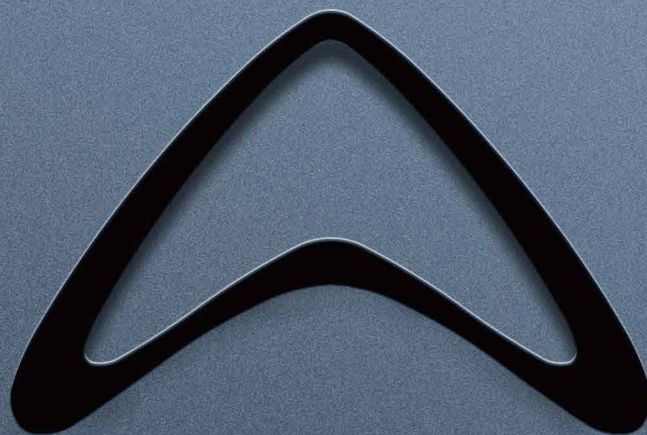
SIDE VIEW



BOTTOM VIEW

DELTA-X218B

System Type	Passive
Configuration	Dual Chamber Subwoofer
Frequency Response (+/-3dB)	30-1.5KHZ
Frequency Range (-10 dB)	30-1.5KHZ
Sensitivity (2.83v/1m)	100dB
Calculated Maximum SPL @1m	138dB
System Rated Impedance	Parallel:4Ω Discrete:8Ω x2
Low Frequency Transducer	
Size	470mm / 18"
Voice Coil Size	102mm / 4"
Rated Impedance	2x8Ω
LF Power (re:AES2-2012)	800W
High Frequency Transducer	
HF Driver Type	-
Voice Coil Size	-
Exit Size	-
Diaphragm Material	-
Rated Impedance	-
HF Power (re:AES2-2012)	-
Nominal Coverage (H x V)	-
Power	
System Continuous Power	1600W Parallel / 800W Discrete
System Programme Power	3200W Parallel / 1600W Discrete
System Peak Power	6400W Parallel / 3200W Discrete
Crossover frequency	-
Input Connector	2 x NL4 (speakON Compatible)
Hardware	
Pole Mount	
Handles	4 on Sides
Rigging points	-
Enclosure Material	18mm Plywood
Finish	black paint
Grille Material & Finish	1.5 mm Steel Black
Dimensions - Unpacked	
Height	541mm / 21.3"
Width Front	1041mm / 41.0"
Width Rear	1041mm / 41.0"
Depth	650mm / 25.6"
Dimensions - Packed	
Height	626mm / 25.6"
Width Front	1126mm / 44.3"
Width Rear	1126mm / 44.3"
Depth	722mm / 28.4"
Weight	
Net Weight (kg / lbs)	78.9kg / 173.9lbs
Gross Weight (kg / lbs)	86.0kg / 189.6lbs



WWW.WHARFEDALEPRO.COM

IAG HOUSE, 13/14 GLEBE ROAD, HUNTINGDON, CAMBRIDGESHIRE,
PE29 7DL, UK
TEL: +44(0) 1480 452 561

ISSUE 2019-01